

Name: Sienar Fleet Systems Mu-2 Class long range shuttle

Scale: Starfighter

Length: 20 meters

Skill: Space Transports - Mu-2 Class long range shuttle

Crew: 2, gunners 2, skeleton 1/+10

Passengers: 14

Crew Skill: Space Transports 5D, Starship Gunnery 4D+2,

Starship Shields 4D

Consumables: 6 Months

Cargo Capacity: 100 Tons

Hyperdrive Multiplier: X2

Hyperdrive Backup: X20

Nav Computer: Yes

Space: 5

Atmosphere: 295;850kmh

Maneuverability: 1D

Hull: 3D

Shields: 1D

Sensors:

Passive: 30/1D

Scan: 50/2D

Search: 90/3D

Focus: 4/4D

Weapons:

2 Laser Cannons (fire linked)

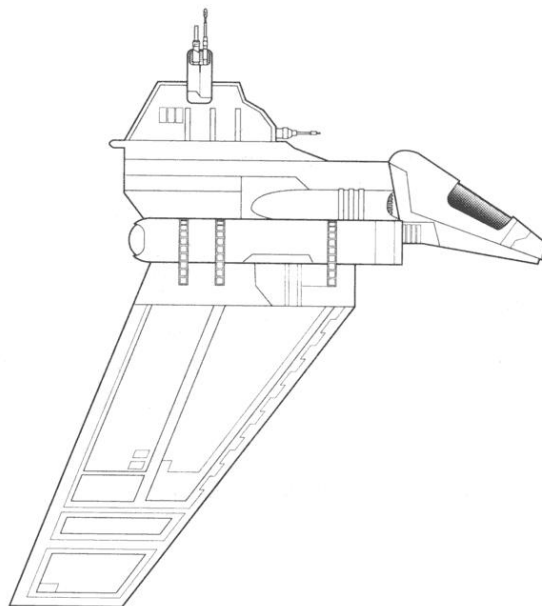
Fire Arc: Front

Fire Control: 1D

Space: 1-3/12/25

Atmosphere Range: 100-300/1.2/2.5km

Damage: 5D



Description: The Mu-2 long range shuttle was a 20-meter long Sienar Fleet Systems long-range scout ship.

It carried a pilot, a co-pilot, 14 troops, 100 metric tons of cargo, and 6 months worth of consumables. The ship had a Class 2 hyperdrive, and a Class 20 backup. 850 kilometers per hour could be achieved in atmosphere. Deflector shields were supplemented by 2 fire-linked forward laser cannons. Although the Model 2 carried fewer passengers than the original variety, it had four enclosed sleeping cabins, and boasted a miniature galley.

The Radell Mining Corporation, the Galactic Empire, and the New Republic all employed the Mu-2. Lando Calrissian possessed a modified Mu-2, the Cobra.

---

Stats by FreddyB, Descriptive Text from WookieePedia

Image copyright LucasArts

Any complaints, writs for copyright abuse, etc should be addressed to the Webmaster [FreddyB](#).